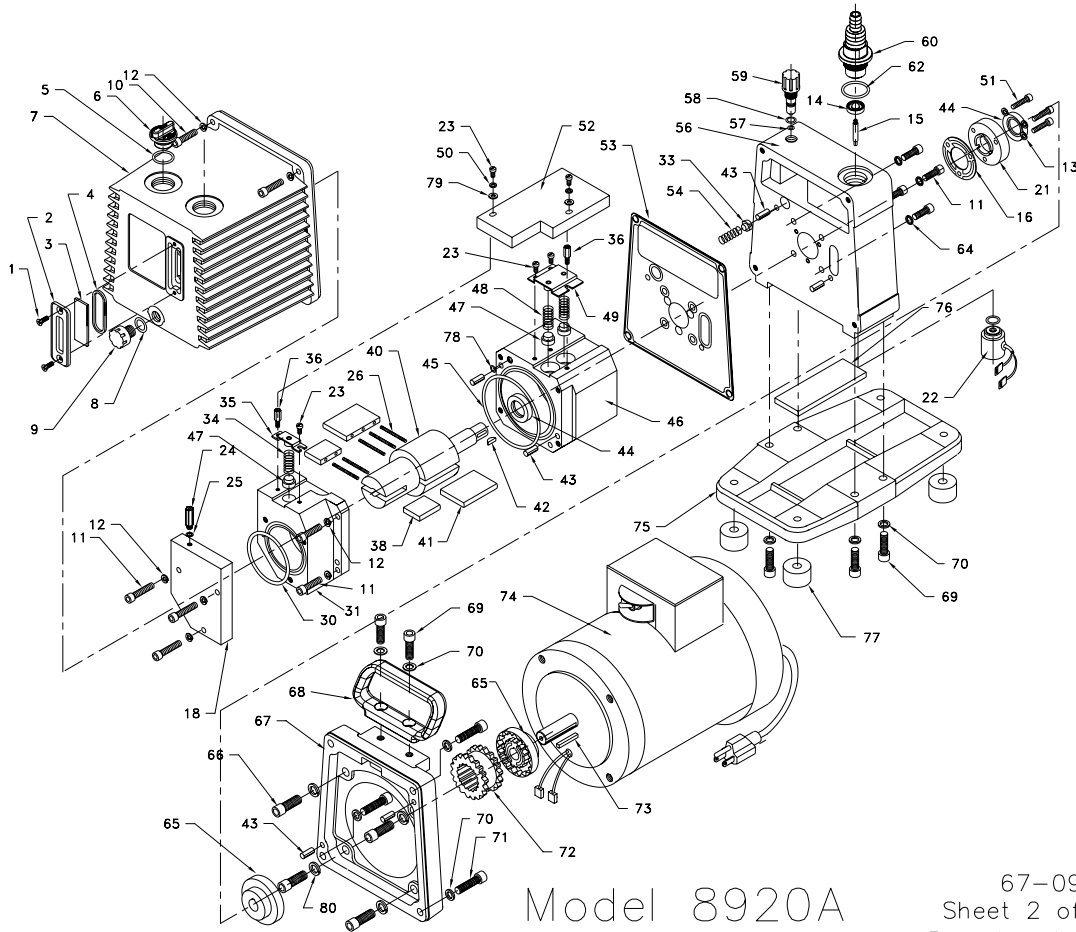


10.34 Exploded Views and Parts List for 8920A



Model 8920A

67-0912
Sheet 2 of 2
Rev. 14 1/06

PARTS LIST FOR MODEL 8920A

ITEM	QTY	P/N	A*	B*	DESCRIPTION	ITEM	QTY	P/N	A*	B*	DESCRIPTION
1	2	62-1014			SCREW FLAT HD #8-32x3/8	44	2	41-3390			LIP SEAL 3/4"
2	1	61-2370			WINDOW HOLDER	45	1	61-9526			O-RING, FLUOROELAST. #151
3	1	61-2229A			WINDOW GLASS	46	1	61-9597D			INTAKE STAGE
4	1	66-0304			O-RING, FLUOROELAST. #127	47	3	61-9560A			BYPASS VALVE
5	1	66-0212			O-RING, FLUOROELAST. #119	48	2	61-9582A			BYPASS VALVE SPRING
6	1	61-6020			OIL FILL PLUG	49	1	61-9516A			INTAKE VALVE COVER
7	1	61-5358			OIL CASE	50	2	2-69-6108			LOCK WASHER #8
8	1	61-2130A			O-RING, FLUOROELAST. #115	51	3	2-00-6814			SCREW SOCKET HD #10-32x7/8
9	1	61-2372			DRAIN PLUG	52	1	61-9640A			VALVE COVER ASSEMBLY
10	4	2-01-6116			SCREW SOCKET HD 1/4-20x1	53	1	61-9609B			GASKET
11	11	2-01-6114			SCREW SOCKET HD 1/4-20x7/8	54	1	61-6305A			SPRING, GAS BALLAST
12	11	2-63-0193			LOCK WASHER 1/4	56	1	61-5347			MOUNTING PLATE
13	3	2-62-0793			LOCK WASHER #10	57	1	61-2157A			O-RING, FLUOROELAST. #007
14	1	61-9793			ISOLATOR DISK	58	1	61-9282A			O-RING, FLUOROELAST. #011
15	1	61-6279			PLUNGER	59	1	61-6324			GAS BALLAST VALVE ASSEMBLY
16	1	41-0643			GASKET	60	1	61-5348			INTAKE ADAPTER ASSEMBLY
18	1	61-9539B			END PLATE	62	1	66-0200			O-RING, FLUOROELAST. #216
21	1	61-8104A			SHAFT SEAL HOUSING	64	4	62-1071			LOCK WASHER 1/4 SMALL
22	1	61-9935			ISO OPERATOR ASSEMBLY	65	2	41-3072			FLANGE COUPLING
23	5	2-00-2604			SCREW FILLISTER HD #8-32x1/4	66	4	2-01-6516			SCREW SOCKET HD 3/8-16x1
24	1	62-0274			ORIFICE .014"	67	1	61-5246			MOTOR ADAPTER PLATE
25	1	41-3175			GASKET, NYLON	68	1	61-6011			HANDLE
26	5	41-2996			VANE, SPRING	69	6	2-01-6316			SCREW SOCKET HD 5/16-18x1
30	1	61-9527			O-RING, FLUOROELAST. #137	70	10	41-2363			WASHER
31	1	61-9598D			EXHAUST STAGE	71	4	2-01-6320			SCREW SOCKET HD -18x1-1/4
33	1	61-2118A			VALVE, GAS BALLAST	72	1	41-3073			COUPLING SLEEVE
34	1	61-9561A			EXHAUST VALVE SPRING	73	1	41-2637			MOTOR SHAFT KEY (SUPPL. w/MOTOR)
35	1	61-9580A			EXHAUST VALVE COVER	74	1	61-5359			MOTOR ASSEMBLY 3/4 H.P.*
36	2	61-9478			STAND OFF SPACER	75	1	61-5245			BASE
38	2	61-9615A			EXHAUST VANE	76	1	61-9742			DRIP PAD
40	1	61-9595C			ROTOR	77	4	61-9607A			RUBBER BUMPER
41	2	61-9616B			INTAKE VANE	78	1	41-3005			O-RING, FLUOROELAST. #008
42	1	41-0624			WOODRUFF KEY	79	2	2-68-5632			WASHER #8
43	6	61-9280A			DOWEL PIN, 1/4"	80	4	2-63-0593			LOCK WASHER 3/8

A* : MAJOR REPAIR KIT CAT# N/A
B* : MINOR REPAIR KIT CAT# 8915K-05

67-0912
Rev. 14 01/06